

CPS 2400 Series Food & Pharmaceutical Applications

**CLS 2400 Series Sanitary Pressure Transmitters**

Sanitary pressure transmitters, designed for the food and pharmaceutical industry, are suitable for CIP/SIP cleaning and sterilization. Smart, compact design, the welded process diaphragm medium parts are made of high-quality stainless steel 316L, roughness $\leq 0.4\mu\text{m}$, filling fluid with hygiene standards in line with FDA certification, and a variety of international standard process connections are available, from standard to very high-temperature applications.

Benefits

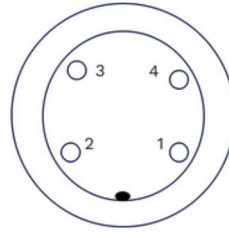
- ✓ High-performance pressure transmitters
- ✓ Patented high-piezoresistive mono-silicon pressure sensor for durability
- ✓ Unique design with anti-condensation protection
- ✓ FDA-approved filling fluid
- ✓ Analog and digital output for remote troubleshooting and diagnostic
- ✓ High-temperature versions for CIP, hot products & vacuum

Specifications

Measuring range	0...+20 bar (0...+290 psi)
Process Connection	Tri-clamp (1.5" & 2")
Signal output	4-20mA (2-wire) 4-20mA + HART (2-wire)
Accuracy	±0.2% URL, ± 0.5% URL
Stability	±0.2% URL/year
Process temperature	-40...+300 °C (-40...+572 °F)
Configuration	Via LCD or HART
Power supply	10...30VDC
Protection class	IP67
Area classification	General Purpose

Electrical Connection

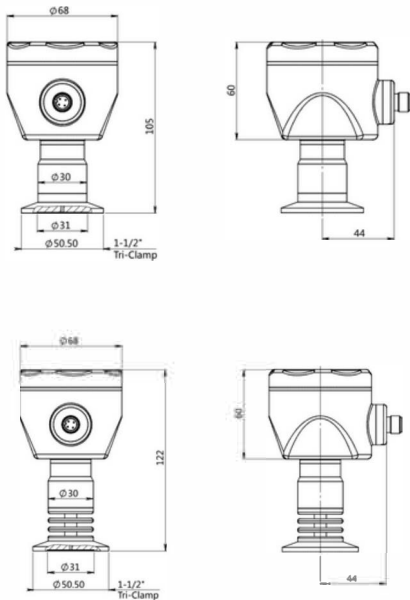
M12 Female Connector



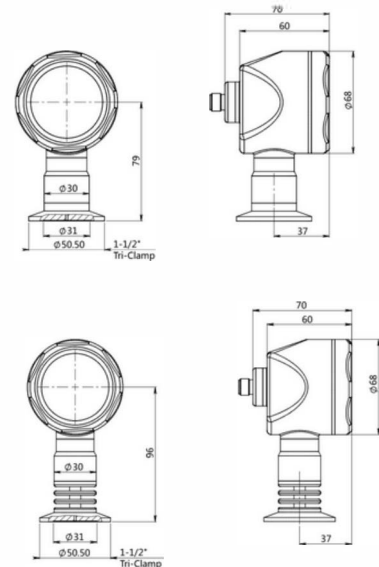
Label	2-wires
1/Brown	V+
2/White	
3/Blue	
4/Black	V-

Drawings & Dimensions

Vertical Installation



Horizontal Installation



High Temperature

For more info and application review,
contact us



Current Instrumentation & Automation Inc.

11-680 Tradewind Drive
Hamilton, Canada, L9G 4V5
E-mail: info@currentinstrument.ca
Phone: +1 905 802-9703
www.currentinstrument.ca